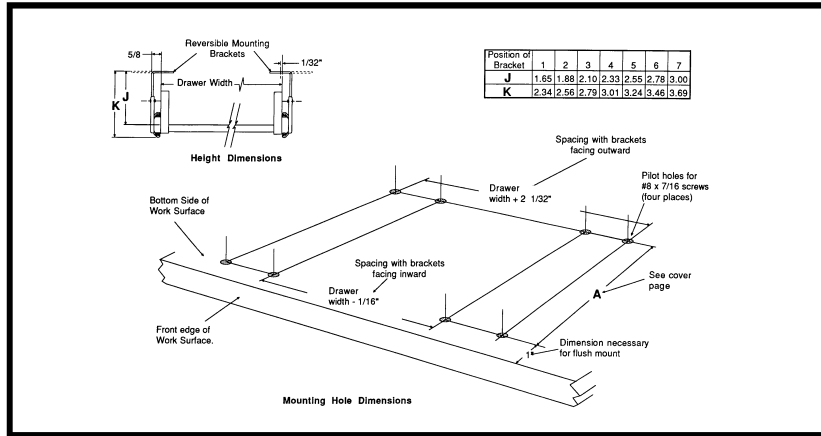


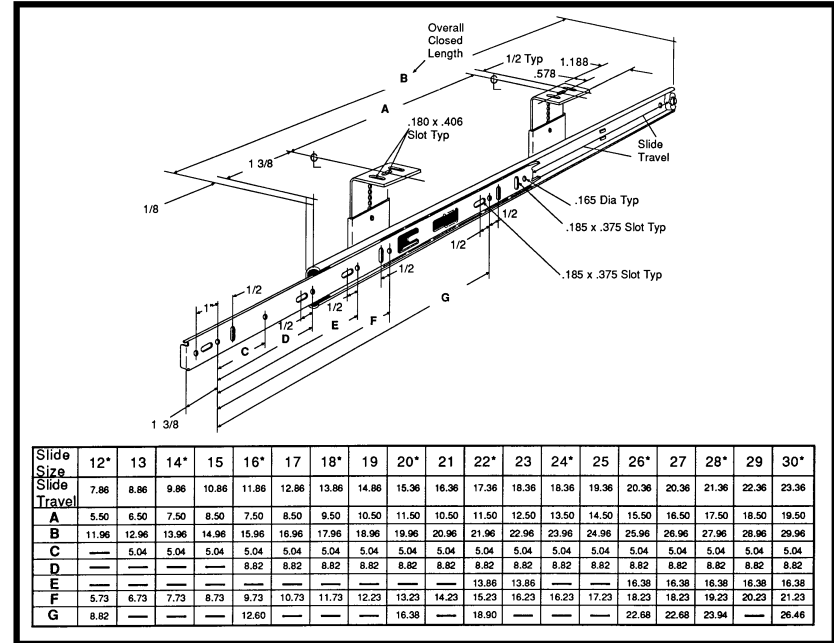
Major Dimensions, Mounting Hole Locations and Adjustable Bracket Settings.



Position of Bracket	1	2	3	4	5	6	7
J	1.65	1.88	2.10	2.33	2.55	2.78	3.00
K	2.34	2.56	2.79	3.01	3.24	3.46	3.69

KV[®] KNAPE & VOGT 8250 Variable-Height Pencil Drawer Slide

KV 8250 Major Dimensions and Mounting Hole Locations



Limited Lifetime Warranty

Knapé & Vogt Manufacturing Company guarantees its drawer slides and builder's hardware products against failure or defects for so long as the purchaser or end user owns them. This warranty is void if any damage to the product is due to misuse, abuse, neglect, accident, improper installation or any uses contrary to the instructions accompanying the product. This warranty covers the cost of the defective part and not the cost of removal, installation or other incidental charges. The foregoing are the purchaser's exclusive remedies. Knapé & Vogt Manufacturing Company assumes no liability for special or consequential damages.

Replacement product may be obtained by returning the product, transportation charges prepaid, together with a receipt of purchase or other documents acknowledging the sale of the product, addressed to the Knapé & Vogt Manufacturing Company, Attention: Customer Services Department.

The warranty set forth above is in lieu of any other warranties, express or implied, including warranties of merchantability and fitness for use.



2700 Oak Industrial Drive NE
Grand Rapids, Michigan 49505 USA

Phone: 616-459-3311

Fax: 616-459-3290

Telex: 22-6317

© 1993, Knapé & Vogt

300701

Specifications

- 7 position, adjustable and reversible mounting bracket.
- Metal Ball Bearing Retainer and three precision steel ball bearings per inch of race for smooth quiet movement and durability.
- Drawer track member disconnects quickly using positive lever release for easier installation.
- Anti-rebounding, Stay-Close feature holds tray in closed position.
- Bright electro-zinc plated with lacquered finish for better corrosion resistance. Black finish available.

PATENTS PENDING

Installation Instructions for: 8250 Variable-Height Pencil Drawer Slide



For Best Results, Read Instructions First!

These instructions show how to install the KV 8250 Pencil Drawer Slide. Please note that improper installation may void the Knapé & Vogt Lifetime Limited Warranty. To install the slides correctly, follow these instructions, use only KV hardware, and make no modifications. If you have questions or need additional information, please contact the factory.

Application

- Recommended for pencil drawers or similar applications.
- Mounting brackets adjust from 2-11/32" to 3-11/16" in 7/32" increments.
- Maximum pencil drawer width not exceeding 24 inches.
- Cabinet members must be mounted parallel to each other and perpendicular to the work surface front.
- Use #8 x 7/16" Pan Head screws to mount slide to surface and tray. Use #8 x 1/4" thread cutting screws to secure adjustable brackets at desired height.
- Consult factory for advice on unusual applications.

Installation

Step 1 Identification.

Unpack the slides and identify the left hand and right hand slides. The mounting plates are welded to the outside of the (larger) cabinet members. The pencil drawer will fit flush against the side of the (smaller) drawer members. See figure 1. The right angle mounting brackets are packaged with the left and right hand slides unattached.

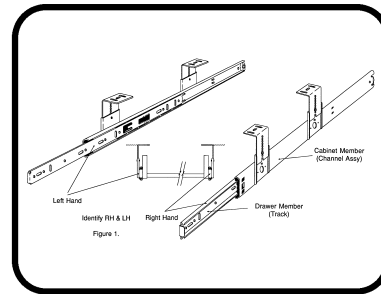


Figure 1.

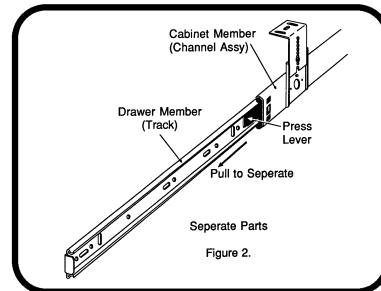


Figure 2.

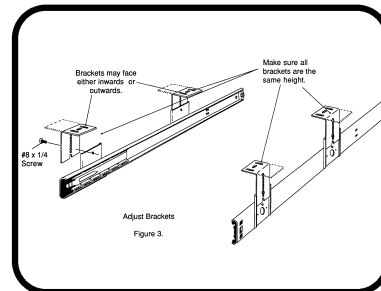


Figure 3.

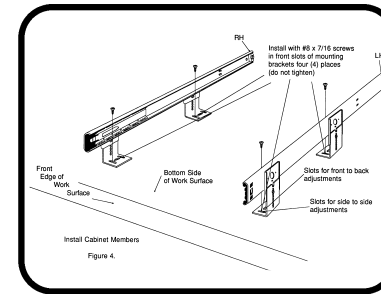


Figure 4.

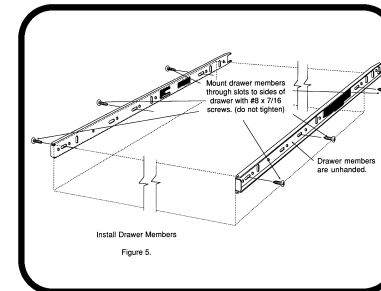


Figure 5.

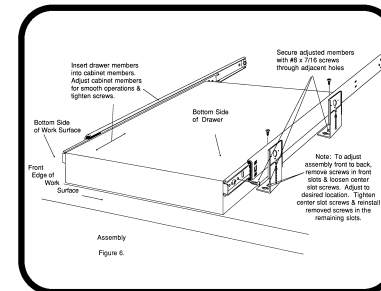


Figure 6.

Step 2 Separate parts.

Press the lever and pull to separate the cabinet and drawer members as shown in Figure 2.

Step 3 Adjust brackets.

Set the adjustable brackets to the desired height as shown in figure 3. The brackets may face either inwards or outwards. See diagram on back page for height dimension.

Step 4 Install cabinet members.

Mount the cabinet members to the underside of the case as shown in figure 4. Refer to drawing on back cover for mounting hole dimensions. Hole location varies dependent on whether the brackets face inwards or outwards. Fasten screws only through the slotted holes. Additional screws must be added through the other holes after final adjustment.

NOTE: The center slotted holes are for front-to-back adjustment. The other slotted holes are for side-to-side adjustment.

Step 5 Install drawer members.

Mount the drawer members to the side of the pencil drawer as shown in figure 5. Refer to drawing on front cover for mounting hole dimensions. Fasten screws only through the slotted holes. Additional screws must be added through the round holes after final adjustment.

Step 6 Assembly.

Insert the drawer members into the cabinet members as shown in figure 6. Close the drawer completely. The force to close the drawer may be more than normal the last few inches, as the ball bearings must slip into the correct synchronous position.

Step 7 Check and adjust installation.

Open the drawer and check for proper operation. Make adjustments as needed. Then install additional screws in the round holes. Securely tighten all screws.